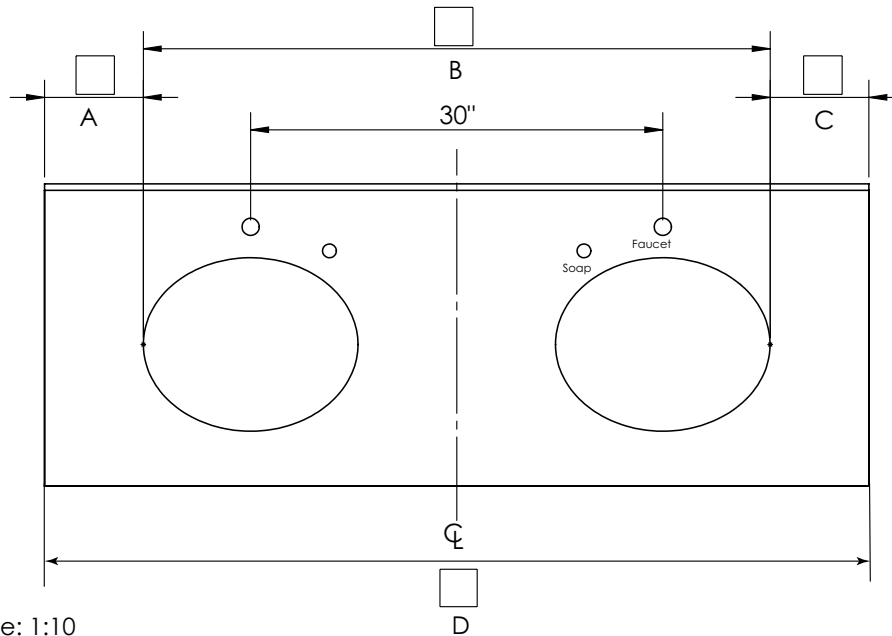
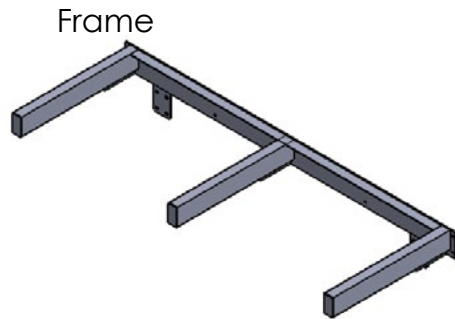


DESIGNER SERIES COUNTERTOP DSCT-82000



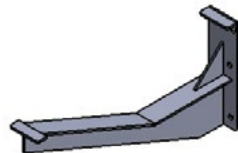
DSCT Plan View Scale: 1:10

Mounting Options

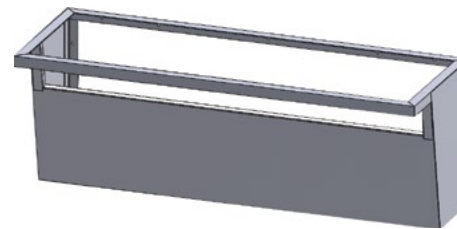


No Mounting Option
(provided by others)

Angle Brackets



Enclosure



Standard Size

Custom Size

Dimensions	
Standard	Custom
A	7 3/16"
B	45 5/8"
C	7 3/16"
D	60

Standard Sizes

Custom Size

Standard Sizes		Custom
Soap Hole	1"	
Faucet Hole	1 1/4"	
Apron	5"	
Back Splash	4"	

Notes

DESIGNER SERIES COUNTERTOP DSCT-82000

PROJECT INFORMATION

Architect/Designer	Project Name	Email	Phone
State	Location Details	Sloan Representative	Cloud for Sales ID #

SINK INFORMATION

Sink Quantity	Faucet Quantity (per sink)	Soap Dispenser Quantity (per sink)
Sloan Faucet Model Type	Sloan Faucet Code	Sloan Soap Dispenser Model
Bowl Type	Faucet Hole Size (If Non Sloan)	Soap Dispenser Hole Size (If Non Sloan)

[Corian® Color](#)

Drawing Requested?

Notes

[Zodiac® Color](#)

[Silestone® Color**](#)

If alternative color option please specify in notes box

Approval Signature

Approvers Title

Date (mm/dd/yyyy)

INTERNAL USE ONLY

Internal Sloan Representative

Shipping Lead Time*

Compliance Notes

Quote Number

List Price \$ (Good for 60 Days)

Notes

*Lead Time Starts upon Sloan's receipt of order - Note: Changes to Drawings after sign off may extend lead time

**Any Corian or Zodiac sinks longer than 120 inches will need to be seamed on site, any Silestone sinks over 119.5 inches will need to be seamed on site. Quartz materials that are seamed will have a visible seam.